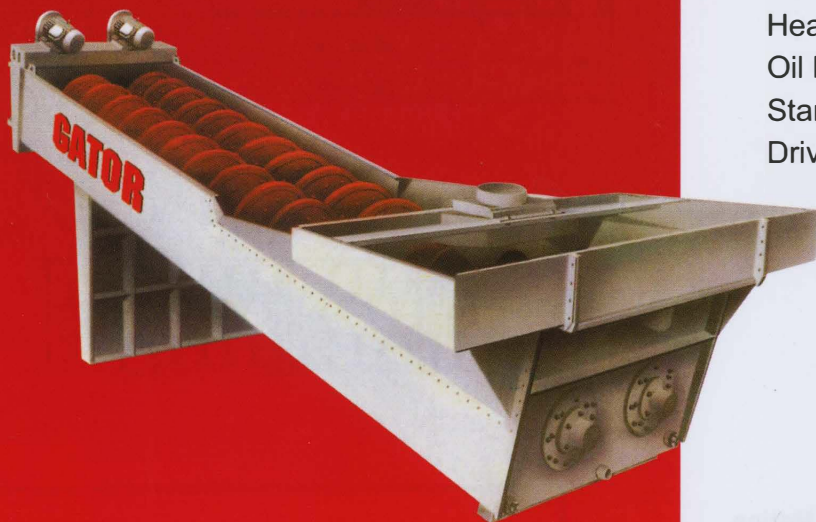




# PSS

3625 Series Fine Material Washers



## The Affordable Alternative in New Crushing Equipment

Gator Machinery Company specializes in designing, manufacturing and selling quarry and mining related products. The Gator PSS Fine Material Washers are designed to complete three jobs at once, dewatering, washing and classifying. Combining the choice of either the single or the twin 36" x 25' model with heavy duty tub construction, adjustable weir, abrasive resistant shoes covering the flighting and oil bath lubricated heavyduty gear box, the PSS Fine Material Washer is the choice of many mining and aggregate producers.

### Standard Features

- Heavy duty tub
- All welded trough minimizes leaks and extends life
- Large pool area for maximum capacity
- Minimal screw/tub clearance
- Ribbon type, continuous one piece auger
- Overlapping shoes for added auger protection
- Removable feedbox and tub extensions
- Overflow pipe
- Greasable lower bearing assembly
- Extra heavy-duty gearbox
- 68:1 reduction ratio
- Heat treated, helical cut precision gears
- Oil bath gear box lubrication
- Standard mounting leg
- Drive belt guards

### Optional Features

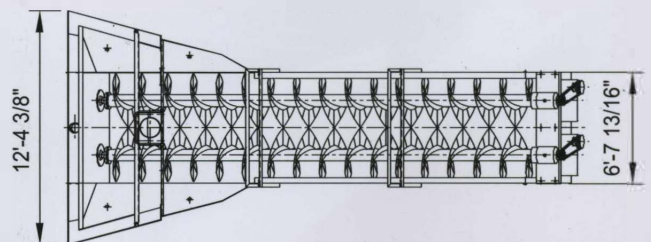
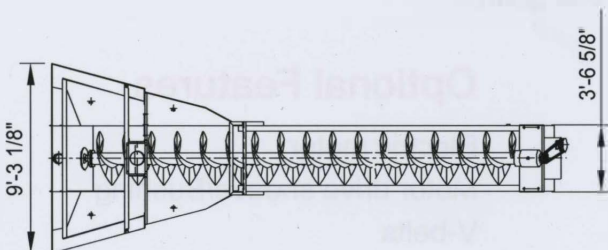
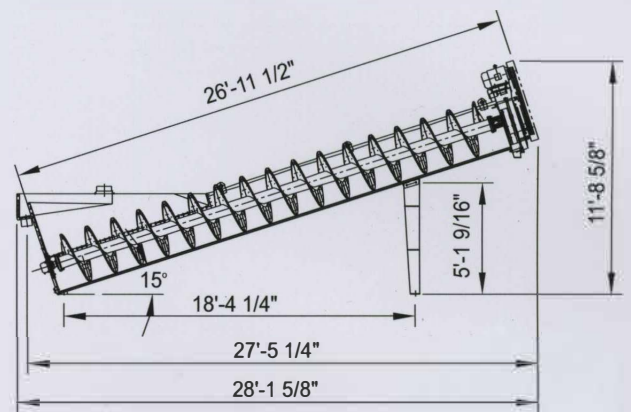
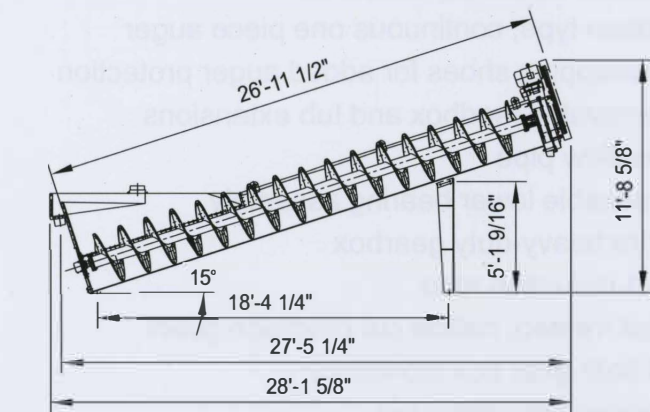
- Electric motor
- Motor drive sheave/Bushing
- V-belts



## The Affordable Alternative in New Crushing Equipment

### Specifications

Model	PSS 3625	PSST 3625
Number of screw	1	2
Screw diameter (Inches)	36	36
Tub length (Feet)	25	25
Max. feed size (Inches)	3/8	3/8
Capacity (TPH)	50-100	100-200
Screw speed (RPM)	21	21
Recommend motor (HP)	15	15 × 2
Water requirement (GPM)	180-700	350-1250
Weight (LBS)	14,500	25,500
Drive Sheave (Inches)	6	6
Driven Sheave (Inches)	7 3/8	7 3/8



Design & Specifications Subject to Change Without Notice

November 2007

Rock Systems, Inc.

www.rocksystem.com (916) 921-9000